

IMAGE



**XLT**  
SmartSolutions™

MODEL

**4455**

**H-version**

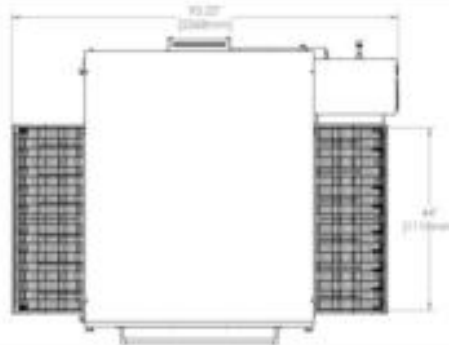
SIZE

**44" WIDE CONVEYOR  
55" LONG BAKE CHAMBER**

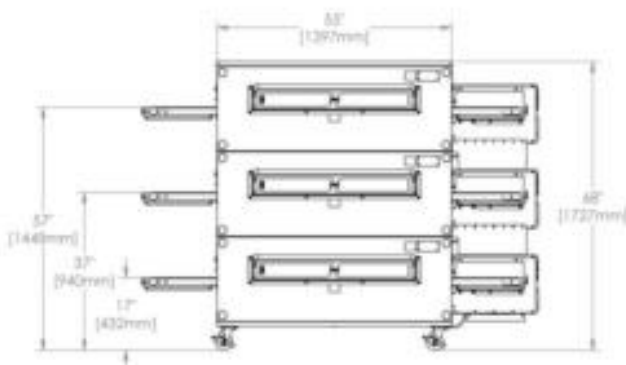
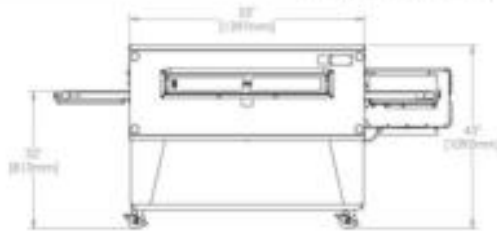
TYPE

**GAS & ELECTRIC**

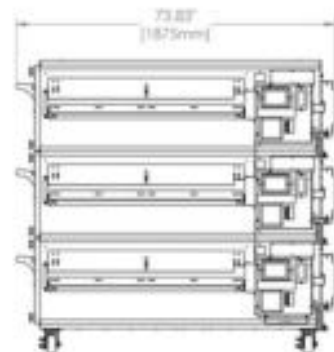
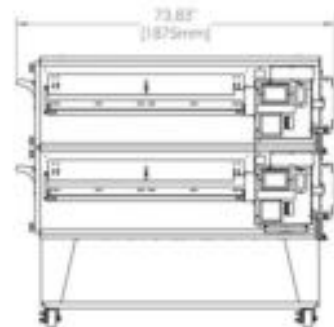
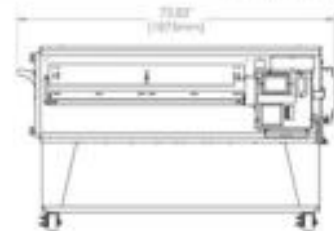
TOP VIEW



FRONT VIEWS



SIDE VIEWS



4455H Rev. 2009V.1

\*A MINIMUM OF A 1 1/2" GAS SUPPLY LINE IS REQUIRED. THE GAS LINE MUST BE PLACED TO THE SIDE OF THE OVEN AND CANNOT BE BEHIND THE CONTROL BOX.

# 4455

H-version

MODEL



## DATA SHEET 4455H GAS OVEN

<i>Heating Value</i>							
Standard	World						
	Natural		Propane		Butane		
170,000 BTU/Hr	49.80 Kw/Hr		49.80 Kw/Hr		52.00 Kw/Hr		
	179.36 Mj/Hr		179.36 Mj/Hr				
<i>Electrical Requirement</i>							
Standard			World				
120 VAC, 4.8 Amps, 50/60 Hz			220/230/240 VAC Option, 3 Amps, 50/60 Hz				
<i>Inlet Pressure Range</i>							
	W/C	mbar	kPa	kPa (Korea)			
Natural Gas	6-14	15-35	1.50 - 3.50	1.50 - 2.50			
Propane Gas	11 - 14	27.5 - 35	2.75 - 3.50	2.30 - 3.30			
<i>Manifold Pressure Range</i>							
	W/C	mbar	kPa				
Natural Gas	3.5	8.75	0.875				
Propane Gas	10	25	2.50				
<i>Oven Weight</i>		<i>Single (1 crate)</i>		<i>Double (2 crates)</i>		<i>Triple (3 crates)</i>	
Oven Only	lbs	kg	lbs	kg	lbs	kg	
	1131	513	2047	929	3146	1427	

## 4455H ELECTRIC OVEN

<i>Electrical Requirement</i>							
	Standard	World					
VAC	208/240 VAC	380/415 VAC					
Amps	90/80 Amps	55/48 Amps					
Hz	60 Hz	50 Hz					
Wire Service	4 Wire Service - L1, L2, L3 +1 Ground (per oven)	5 Wire Service - L1, L2, L3 N+2 Grounds (per oven)					
Phase	3 Phase	3 Phase					
Kw	32 Kw	32/34 Kw					
<i>Oven Weight</i>		<i>Single (1 crate)</i>		<i>Double (2 crates)</i>		<i>Triple (3 crates)</i>	
Oven Only	lbs	kg	lbs	kg	lbs	kg	
	1288	584	2362	1071	3393	1539	

## OVEN WARRANTY

<i>USA &amp; Canada (Parts &amp; Labor)</i>	<i>International (Parts &amp; Labor)</i>
7 Years   Standard	5 Years   Standard

