

IMAGE



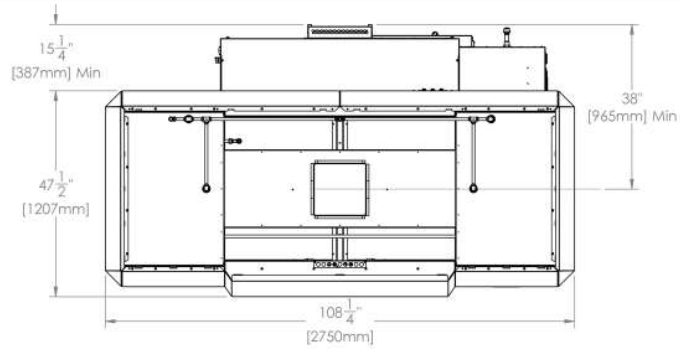
XLT
SmartSolutions™

MODEL

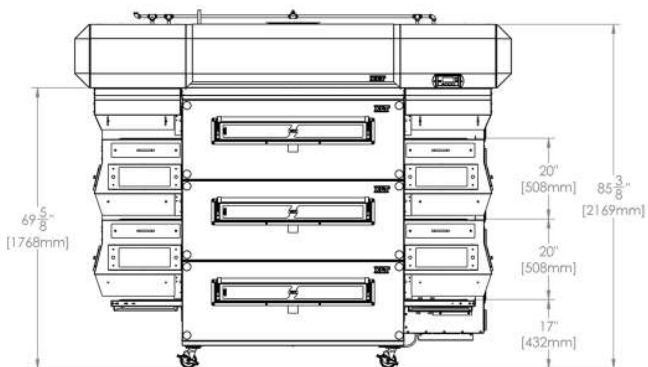
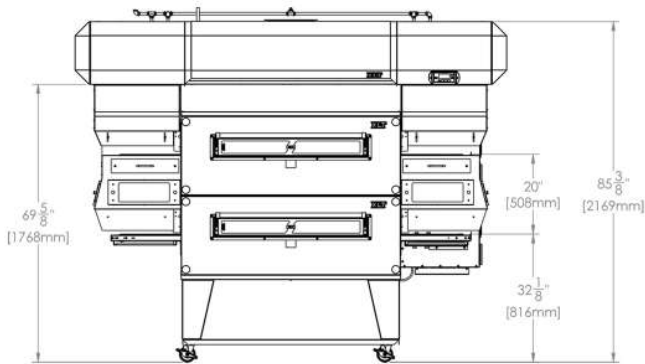
3255H

F-Version Hood

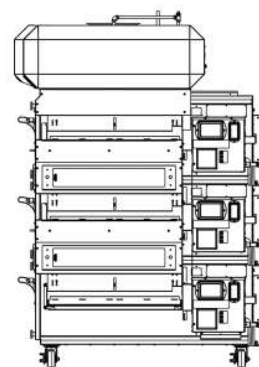
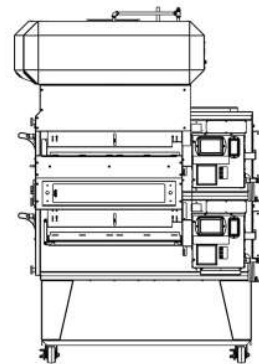
TOP VIEW



FRONT VIEWS



SIDE VIEWS



3255H

MODEL

F-Version



DATA SHEET

F-VERSION HOOD FOR XLT 3255 OVEN

ELECTRIC UTILITY SPECIFICATIONS

<i>Inputs Into Electrical</i>		
	Standard	World
VAC	208/240 VAC	230 VAC
Amps	3 Amps	3 Amps
Hz	60 Hz	50 Hz
Phase	1 Phase	1 Phase

*Do not connect to 3 phase power. 1 phase only.

<i>Output From Electrical</i>	
The XLT Hood System Provides:	
Up to three (3) switching outputs for HVAC damper and/or dedicated unit.*	
One (1) 230 VAC, 4.3 Amp, variable frequency, three (3) phase power output for the ventilation exhaust fan. (Maximum output: 10 Amp)*	
Relocation cord will physically connect into oven.	
One (1) 24 VDC fire alarm signal.*	Up to three (3) receptacles for ovens.

*VFD only.

HOOD AND SHROUDS WEIGHT

	<i>Hood Only</i>		<i>Hood & Shrouds</i>			
	lbs	kg	<i>Double</i>		<i>Triple</i>	
	lbs	kg	lbs	kg	lbs	kg
Hood and/or Shrouds Only	389	176	619	281	687	312

EXHAUST FLOW RATES

	<i>Double Stack</i>	<i>Triple Stack</i>
CFM (All Ovens On)	670	960
M3/Min (All Ovens On)	18.97	27.18
Efficiency Comparison	19.08% More Efficient Than E-Version	23.44% More Efficient Than E-Version

*Figures represent TOTAL VOLUME measured at the duct (Minimum recommended). Refer to XLT Ovens I&O Manual for full complete information.

EXHAUST FAN AND CURB

<i>Specs</i>						
Dimensions	inches	mm	inches	mm	inches	mm
		31	787	31	787	67
Crated Weight (Stacked)	lbs	kg				
	185	84				

OVEN & HOOD WARRANTY

<i>USA & Canada (Parts & Labor)</i>	<i>International (Parts & Labor)</i>
10 Years Oven & Hood Combo Purchase*	7 Years Oven & Hood Combo Purchase
7 Years Standard	5 Years Standard

*Pre-piped fire suppression system must be purchased on each oven and hood.

